

7kW /

( 32A)

V1.1



V1.0	2022-06-29	
V1.1	2022-08-17	



1

2 7KW

2.1

2.2

2.3

2.4

3

3.1

3.2 " "

4

5





1

2

3

4

1

7kW

2 7kW

2.1

7kW

220V

32A

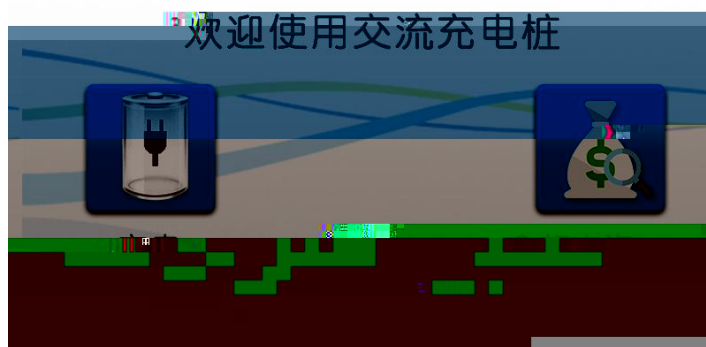




3.1

IC

“ ” 3-1



3-1

“ ” “ ” “ ” “ ”

3-2



3-2

" " /

" " " "

IC

"

" 3-3



3-3

" "

3-4



3-4

" " " "

" " " "

3-5







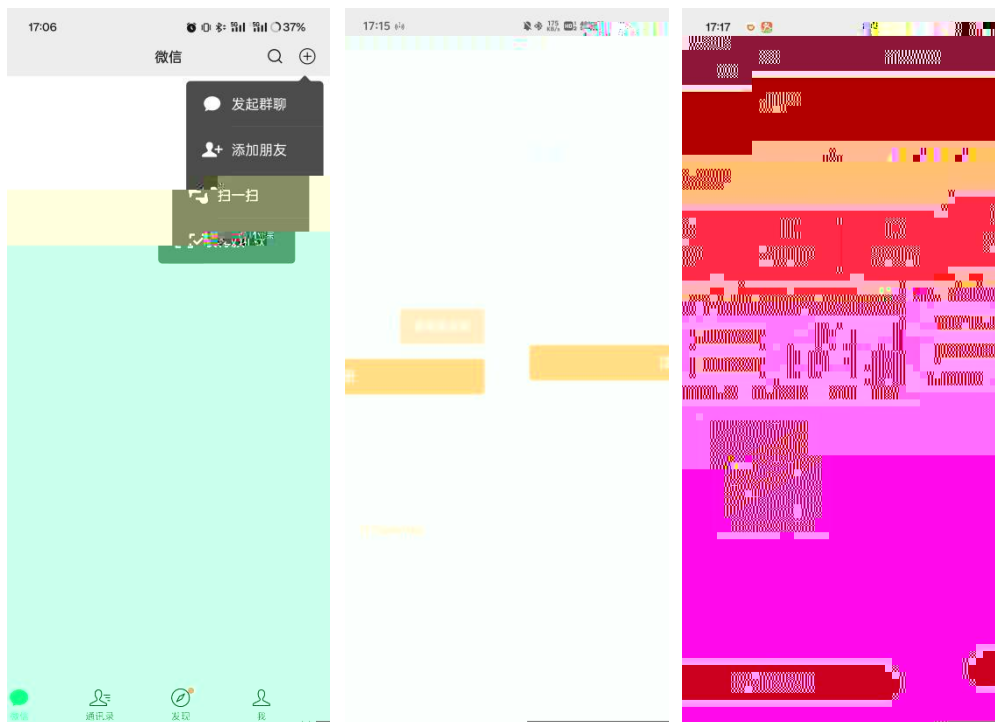
3-9

3-7 3-8

3.2

" "

" " " "



“

”

”

”

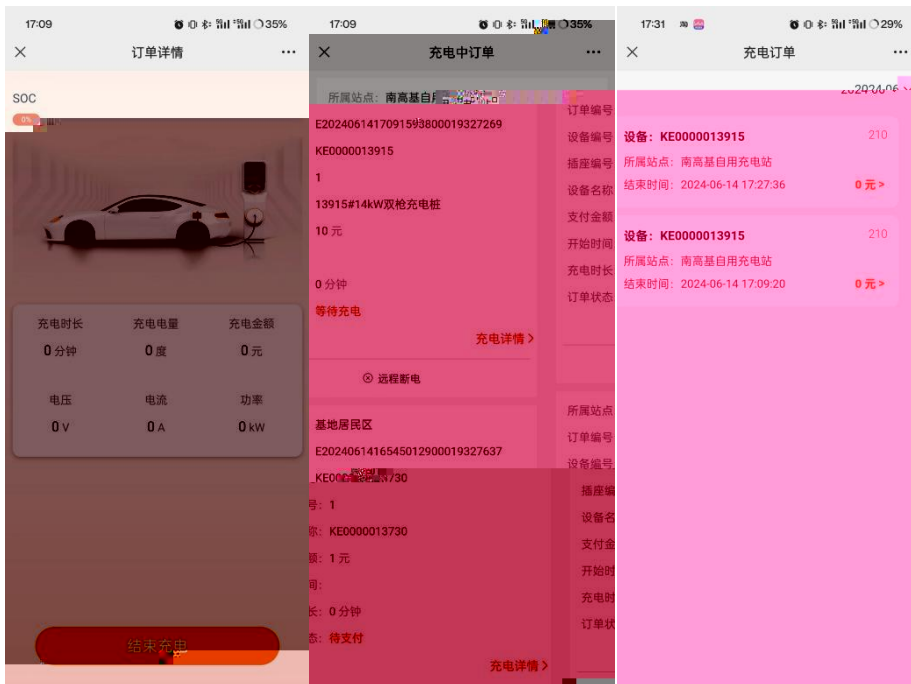
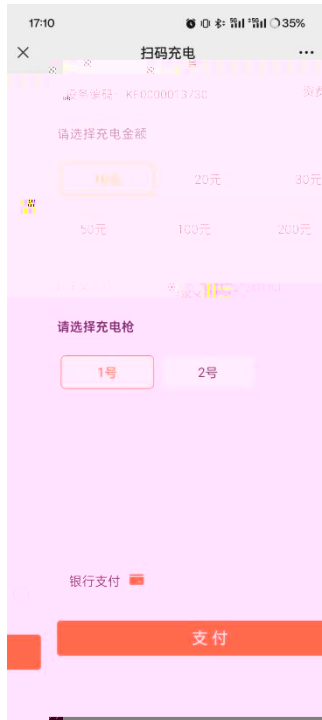
B

” 2 ”

”

”





“ ”



“ ”

4

1

7kW

220V

T20

2

1

2

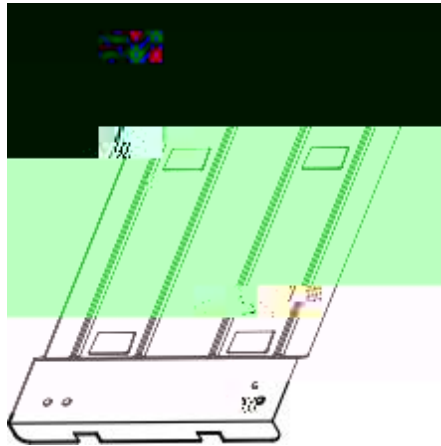
1

2

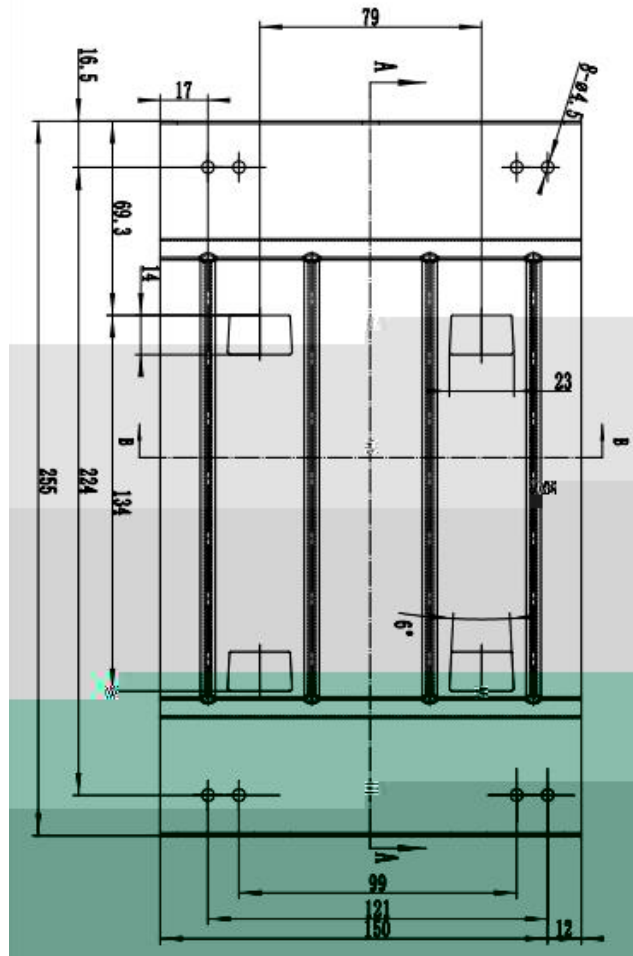
M6\*60

1

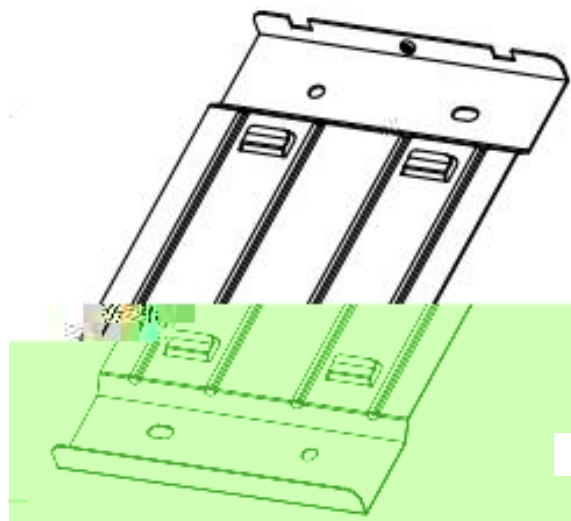
2



1

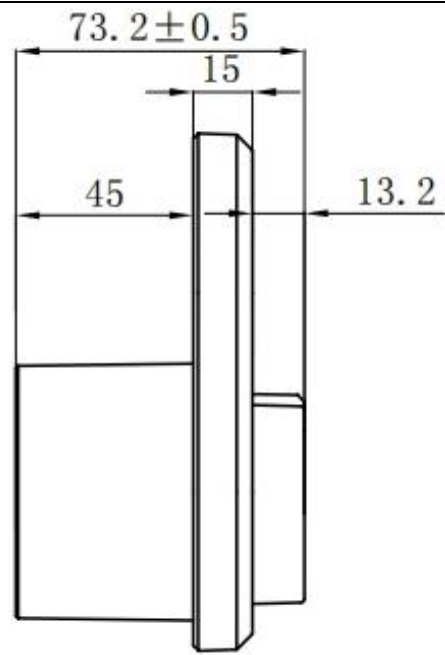
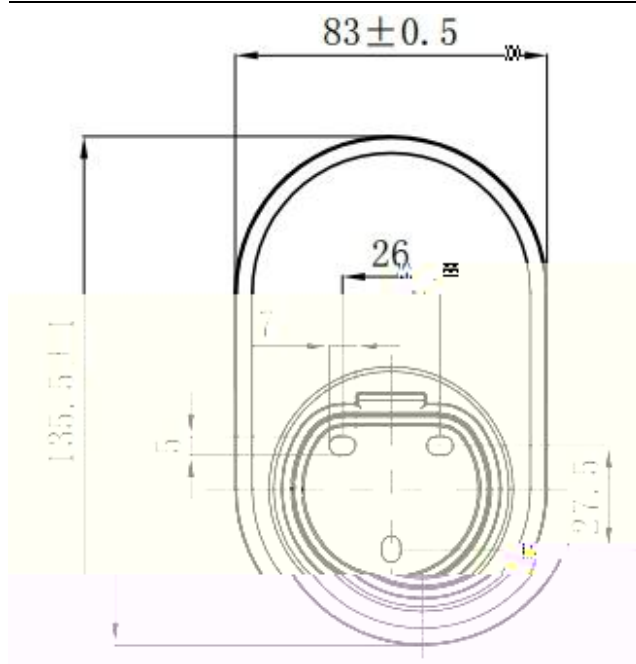


1



2

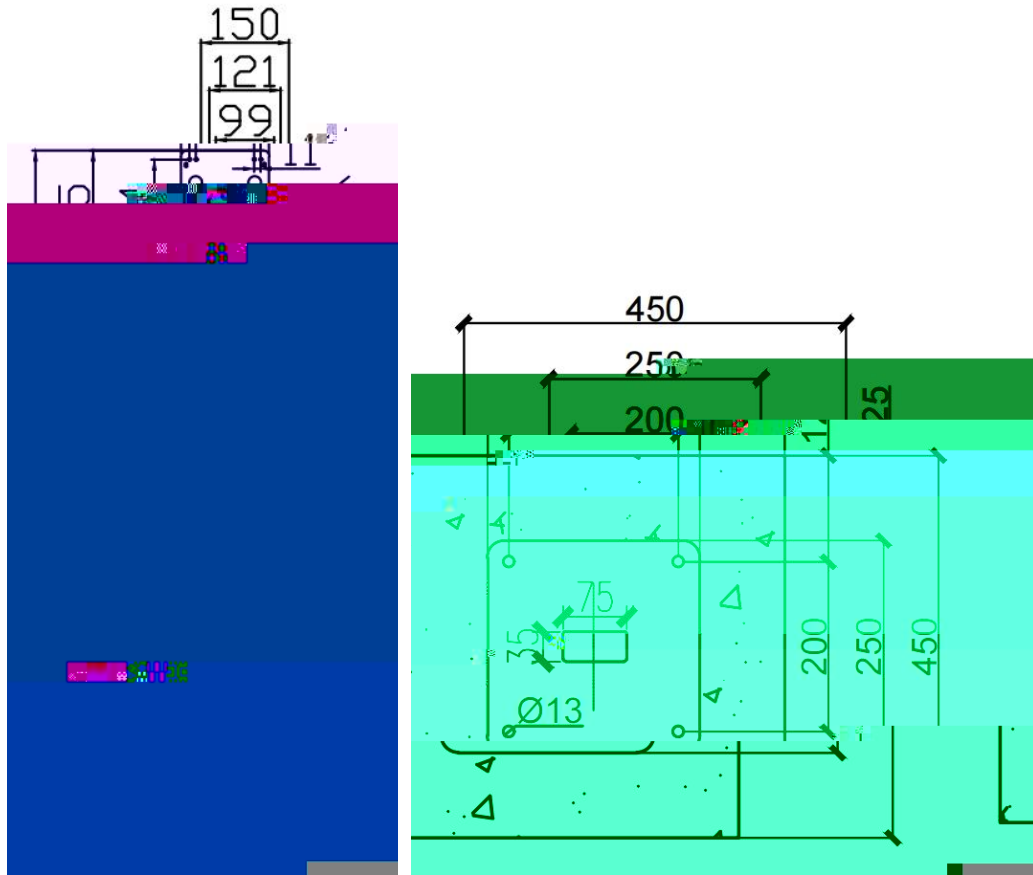


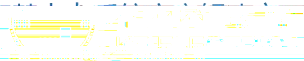


450\*200\*450 \* \*

M10\*80

75\*35mm







/

7

7.1

---

---

---

---

7.2


7.3


--	--	--	--	--

$$1 \quad / \quad 1 \quad ( \quad )$$

$$2 \quad ( \quad )$$

$$3 \quad / \quad 1$$

$$4 \quad 1) \quad ( \quad )$$

2)

3)

4)

5)

/

6)



7)

8)

9)

10)

5

,



